



HOSHIZAKI

Parts List

Modular Crescent Cuber

Models

KMD-460MAH, MWH

KMD-530MAH, MWH, MRH



hoshizakiamerica.com

Number: 71357
Issued: 11-19-2014
Revised: 12-13-2018

CONTENTS

Auxiliary Codes.....	3
Note About Ordering Parts	4
A. Main Assembly & Refrigeration Circuit	5
KMD-460MAH, KMD-530MAH	5
KMD-460MWH, KMD-530MWH	7
B. Water Circuit	11
C. Control Box Assembly	14
D. Accessories & Labels	16

Auxiliary Codes

KMD-460MAH D-0 November 2014
E-0 January 2015
F-0 February 2016
F-1 March 2016
G-0 June 2017
G-1 August 2017
H-0 January 2018

KMD-460MWH E-0 February 2015
F-0 January 2016
F-1 March 2016
G-0 June 2017
G-1 August 2017
H-0 January 2018

KMD-530MAH D-0 October 2014
E-0 October 2015
F-0 January 2016
F-1 February 2016
G-0 June 2017
G-1 August 2017
H-0 January 2018

KMD-530MWH D-0 December 2014
E-0 October 2015
F-1 April 2016
G-0 July 2017
G-1 August 2017
H-0 January 2018

KMD-530MRH D-0 October 2014
E-0 October 2015
F-1 March 2016
G-0 June 2017
G-1 August 2017
H-0 January 2018

Auxiliary Code Breakdown

The auxiliary code is the first two characters in the serial number. The first character indicates the year. Years progress or regress in alphabetical order. The series runs from "A" through "V" and the letters "I" and "O" are skipped. The second character indicates significant part changes within a year. Base is "0" and this number advances for each change.

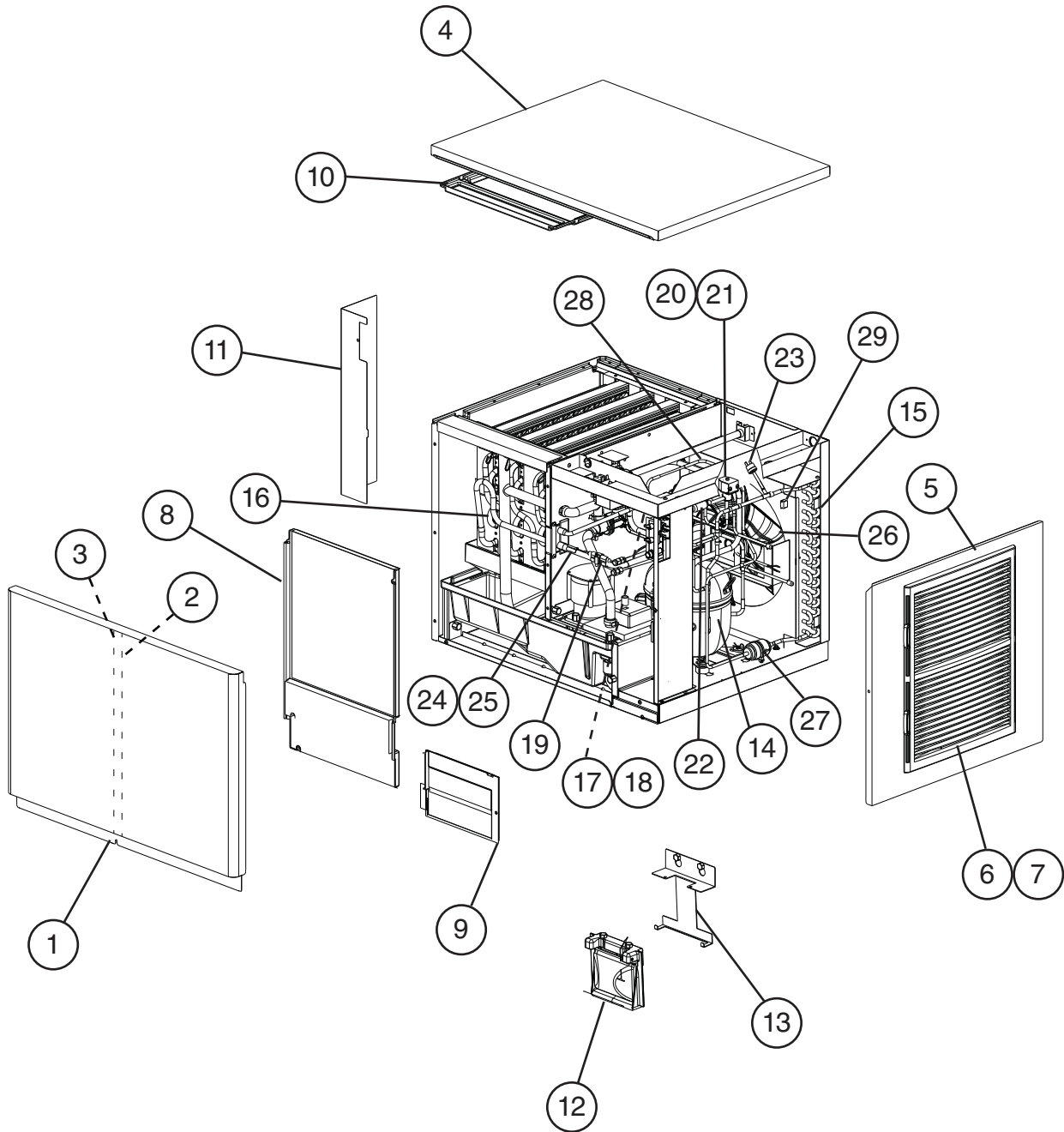
Note About Ordering Parts

Most assemblies cannot be ordered as complete units; parts in the assemblies generally must be ordered separately.

A. Main Assembly & Refrigeration Circuit

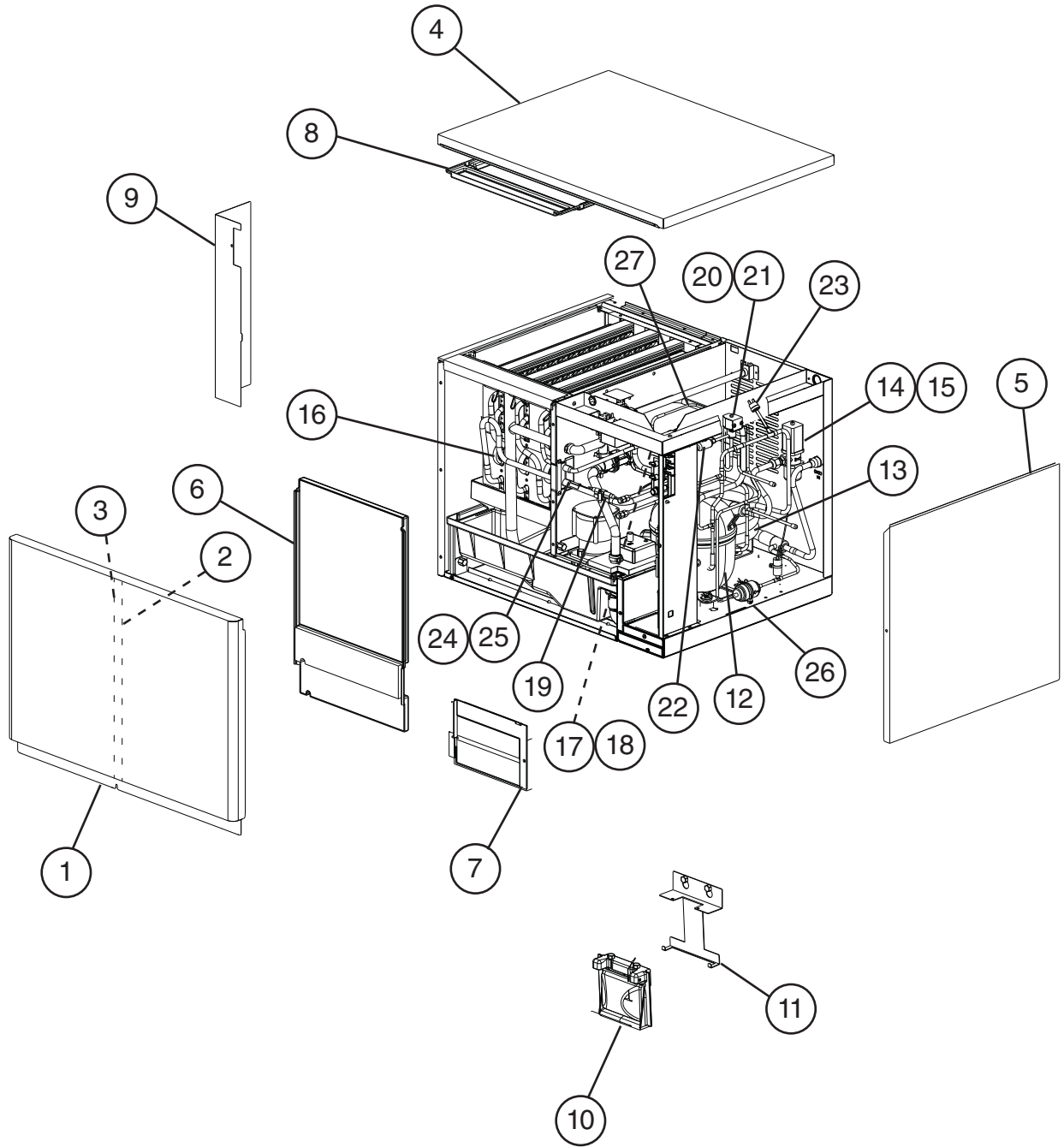
KMD-460MAH, KMD-530MAH

D-0 to H-0



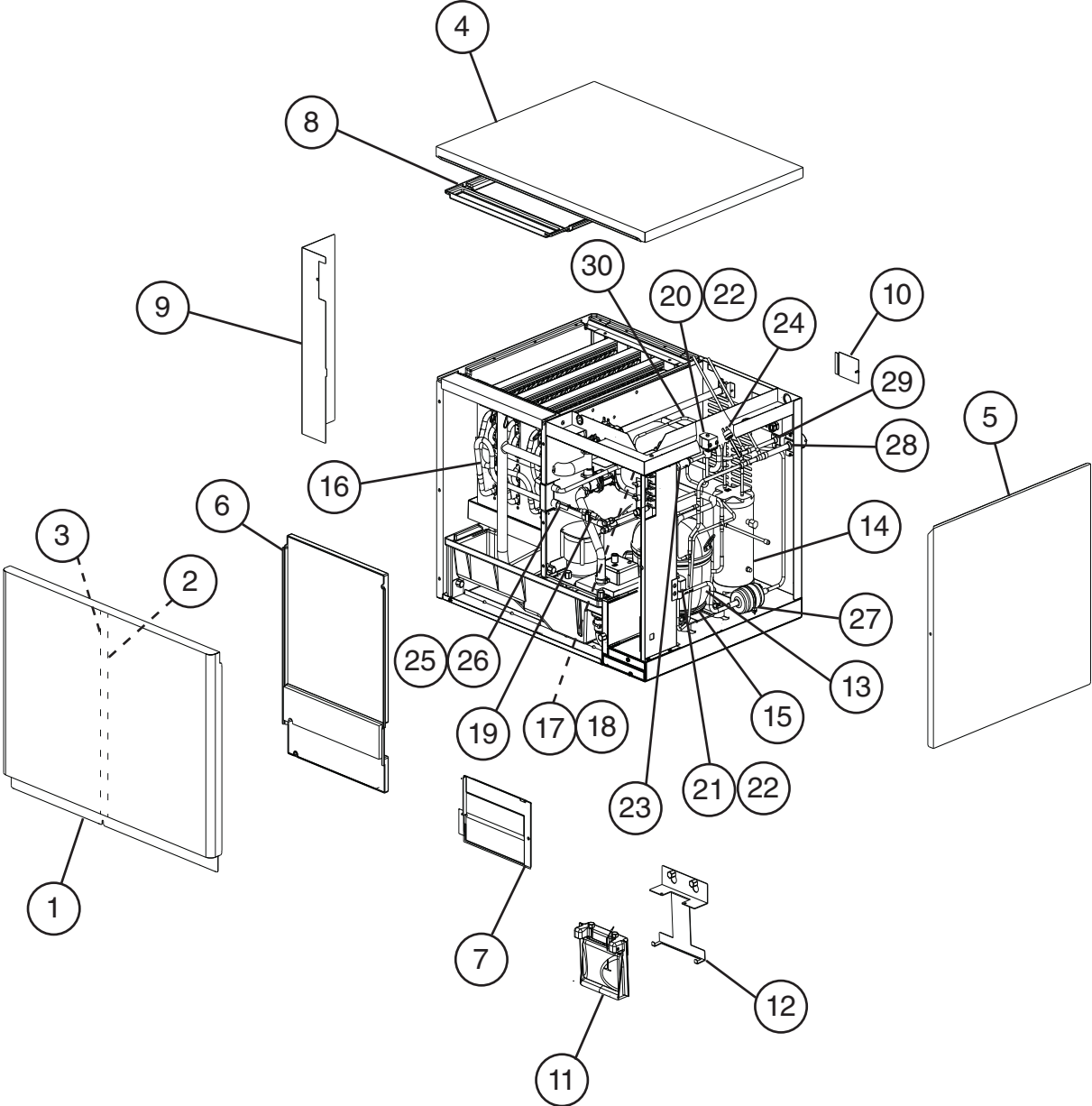
Title: A. Main Assembly & Refrigeration Circuit Model: KMD-460MAH, KMD-530MAH											
Index No.	Description	Material or Model Number	Part Number	Required Number							
				D-0 to G-0	G-1 to H-0						
Main Assembly											
1	Front Panel (includes items 2 and 3 and labels)		3A5196G01	1	-						
		SP-5347	3A9530G01		1						
2	Gasket (bottom gasket (thick))	510 mm (20 in.)	4A0661L01	1	1						
3	Gasket (top gasket (thin))	510 mm (20 in.)	4A1163L01	1	1						
4	Top Panel		3A4373G01	1	1						
5	Right Side Panel		2A4137G01	1	1						
6	Louver		1A1329-01	1	1						
7	Air Filter		2A4128G01	2	2						
8	Front Insulation A		3A5570G01	1	1						
9	Front Insulation B		3A4386G01	1	1						
10	Top Insulation		3A4394G01	1	1						
11	Control Box Cover		3A8289-01	1	1						
12	Bin Control		2A4393G01	1	1						
13	Bin Control Bracket		3A8283-01	1	1						
Refrigeration Circuit											
14	Compressor	KMD-460MAH	4A4479-01	1	1						
		KMD-530MAH	4A4376-01	1	1						
15	Condenser		1A1363-01	1	1						
16	Evaporator	KMD-460MAH	2A4144G01	1	1						
		KMD-530MAH	2A7811G01	1	1						
17	Thermostatic Expansion Valve		4A1414-01	1	1						
18	Thermostatic Expansion Valve Cover		3A0944-01	1	1						
19	Thermostatic Expansion Valve Bulb Holder		3A0107-01	1	1						
20	Hot Gas Valve Body		4A3978-01	1	1						
21	Valve Coil		4A3277-01	1	1						
22	Strainer		441569-02	1	1						
23	High-Pressure Switch		463180-04	1	1						
24	Thermistor		429006-03	1	1						
25	Thermistor Holder		427430-01	1	1						
26	Fan Motor (includes blade)		P02596-01	1	1						
27	Drier		4A1113-01	1	1						
28	Heat Exchanger	KMD-460MAH	2A5259G01	1	1						
		KMD-530MAH	1A3477G01	1	1						
29	Fan Motor Capacitor	6MFD. 220VAC	4A2128-08	1	1						

A. Main Assembly & Refrigeration Circuit
KMD-460MWH, KMD-530MWH
D-0 to H-0



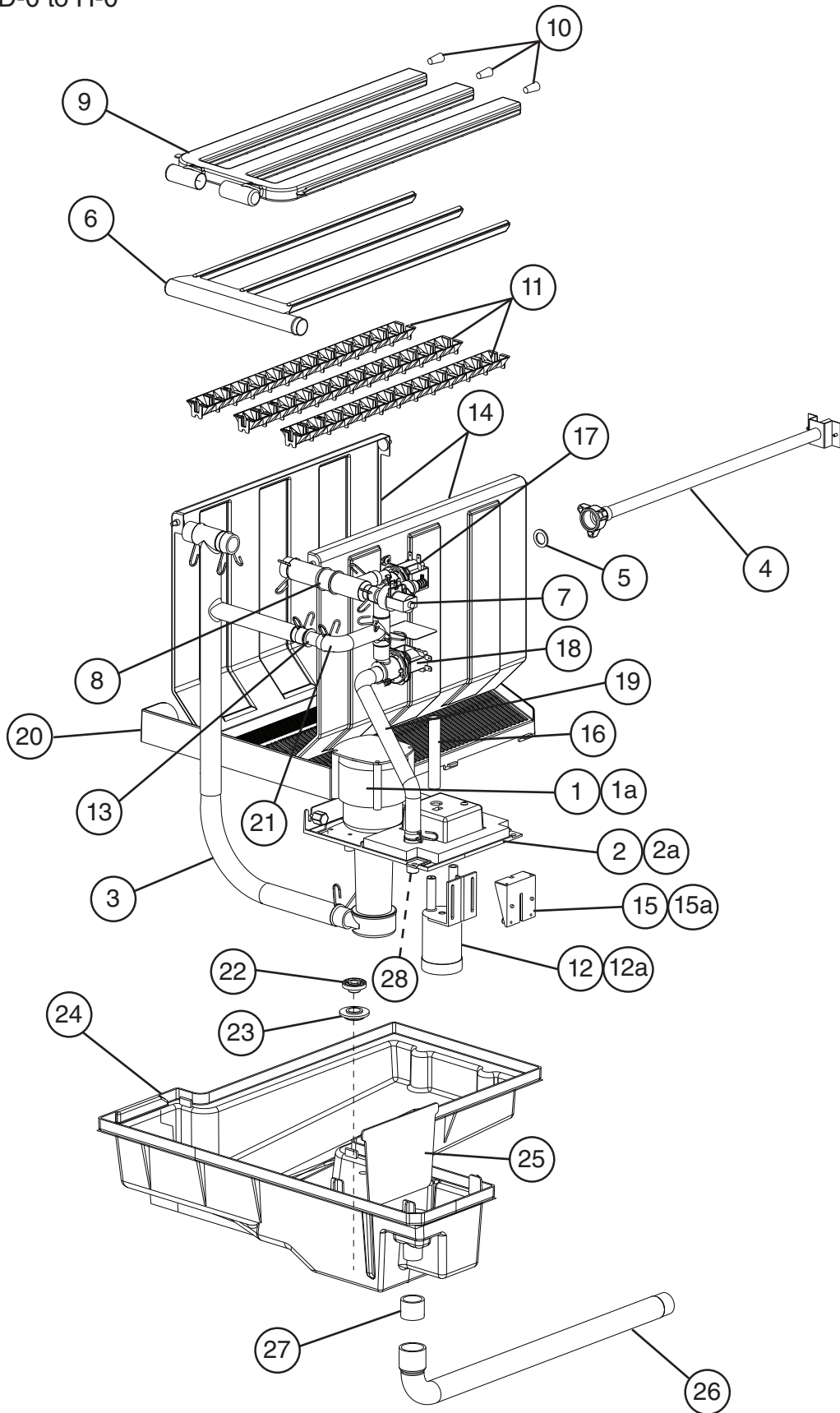
Title: A. Main Assembly & Refrigeration Circuit Model: KMD-460MWH, KMD-530MWH											
Index No.	Description	Material or Model Number	Part Number	Required Number							
				D-0 to G-0	G-1 to H-0						
Main Assembly											
1	Front Panel (includes items 2 and 3 and labels)		3A5196G01	1	-						
		SP-5347	3A9530G01		1						
2	Gasket (bottom gasket (thick))	510 mm (20 in.)	4A0661L01	1	1						
3	Gasket (top gasket (thin))	510 mm (20 in.)	4A1163L01	1	1						
4	Top Panel		3A4373G01	1	1						
5	Right Side Panel		2A4173G01	1	1						
6	Front Insulation A		3A5570G01	1	1						
7	Front Insulation B		4A4283-01	1	1						
8	Top Insulation		3A4394G01	1	1						
9	Control Box Cover		3A8289-01	1	1						
10	Bin Control		2A4393G01	1	1						
11	Bin Control Bracket		3A8283-01	1	1						
Refrigeration Circuit											
12	Compressor	KMD-460MWH	4A4479-01	1	1						
		KMD-530MWH	4A4376-01	1	1						
13	Condenser		3A8514-01	1	1						
14	Water Regulating Valve		4A0911-06	1	1						
15	Male Connector		4A1087-01	1	1						
16	Evaporator	KMD-460MWH	2A4144G01	1	1						
		KMD-530MWH	2A7811G01	1	1						
17	Thermostatic Expansion Valve		4A1414-01	1	1						
18	Thermostatic Expansion Valve Cover		3A0944-01	1	1						
19	Thermostatic Expansion Valve Bulb Holder		3A0107-01	1	1						
20	Hot Gas Valve Body		4A3978-01	1	1						
21	Valve Coil		4A3277-01	1	1						
22	Strainer		441569-02	1	1						
23	High-Pressure Switch		463180-05	1	1						
24	Thermistor		429006-03	1	1						
25	Thermistor Holder		427430-01	1	1						
26	Drier		4A1113-01	1	1						
27	Heat Exchanger	KMD-460MWH	2A5259G01	1	1						
		KMD-530MWH	1A3477G01	1	1						

A. Main Assembly & Refrigeration Circuit
KMD-530MRH
D-0 to H-0



Title: A. Main Assembly & Refrigeration Circuit Model: KMD-530MRH												
Index No.	Description	Material or Model Number	Part Number	Required Number								
				D-0 to G-0	G-1 to H-0							
Main Assembly												
1	Front Panel (includes items 2 and 3 and labels)		3A5196G01	1	-							
		SP-5347	3A9530G01		1							
2	Gasket (bottom gasket (thick))	510 mm (20 in.)	4A0661L01	1	1							
3	Gasket (top gasket (thin))	510 mm (20 in.)	4A1163L01	1	1							
4	Top Panel		3A4373G01	1	1							
5	Right Side Panel		2A4173G01	1	1							
6	Front Insulation A		3A5570G01	1	1							
7	Front Insulation B		3A4386G01	1	1							
8	Top Insulation		3A4394G01	1	1							
9	Control Box Cover		3A8289-01	1	1							
10	Junction Box Cover		433410-01	1	1							
11	Bin Control Bracket		3A8283-01	1	1							
12	Bin Control		2A4393G01	1	1							
Refrigeration Circuit												
13	Compressor		4A4376-01	1	1							
14	Receiver		437596-01	1	1							
15	Crankcase Heater		4A5091-01	1	1							
16	Evaporator		2A7811G01	1	1							
17	Thermostatic Expansion Valve		4A1414-01	1	1							
18	Thermostatic Expansion Valve Cover		3A0944-01	1	1							
19	Thermostatic Expansion Valve Bulb Holder		3A0107-01	1	1							
20	Hot Gas Valve Body		4A3978-01	1	1							
21	Liquid Line Valve Body		4A3276-01	1	1							
22	Valve Coil		4A3277-01	2	2							
23	Strainer		441569-02	1	1							
24	High-Pressure Switch		463180-04	1	1							
25	Thermistor		429006-03	1	1							
26	Thermistor Holder		427430-01	1	1							
27	Drier		4A2663-01	1	1							
28	Discharge Line Coupling		434072-01	1	1							
29	Liquid Line Coupling		426554-01	1	1							
30	Heat Exchanger		1A3477G01	1	1							

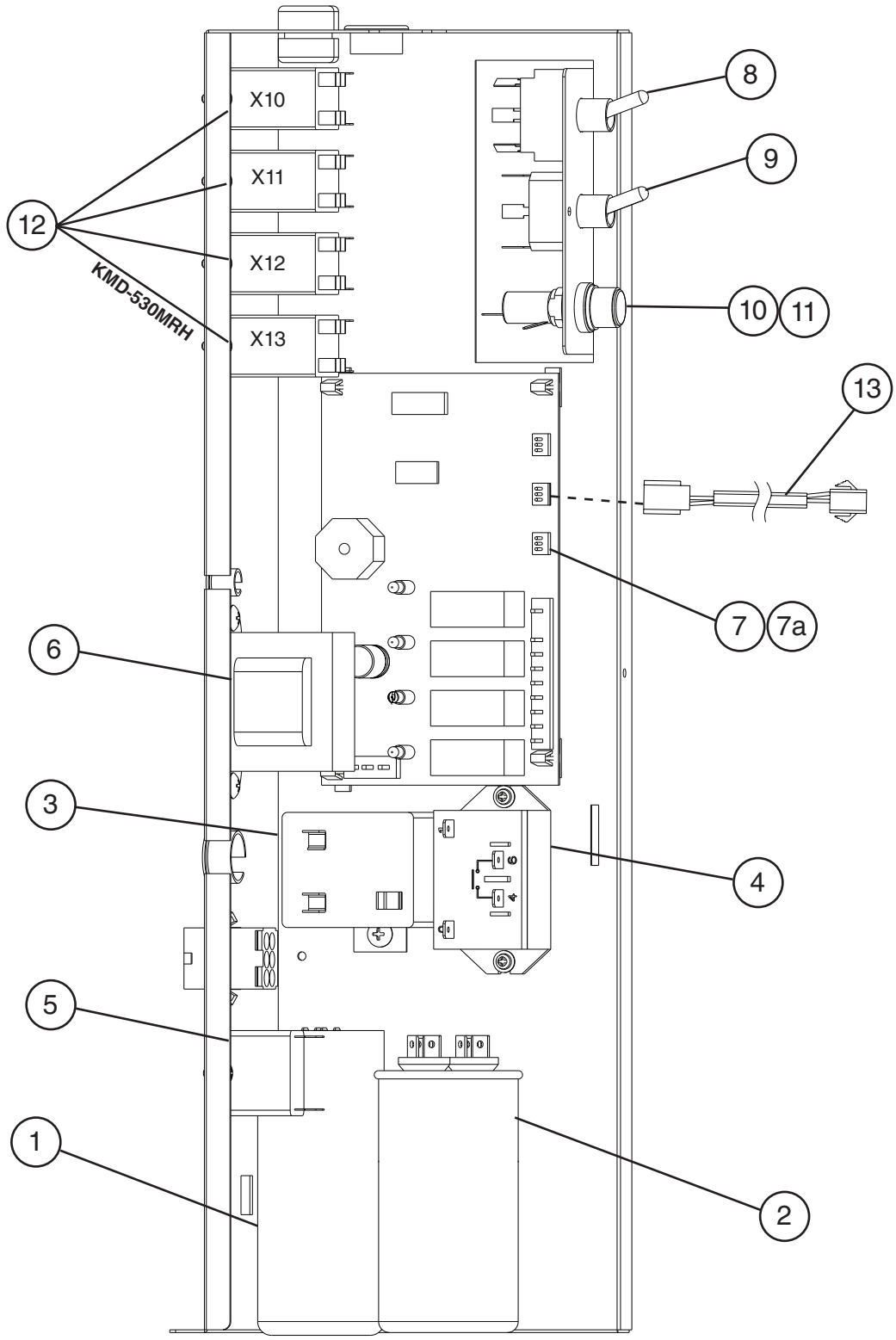
B. Water Circuit
KMD-460M_H, KMD-530M_H
D-0 to H-0



Title: B. Water Circuit Model: KMD-460M_H, KMD-530M_H												
Index No.	Description	Material or Model Number	Part Number	D-0 to H-0	Required Number							
1	Pump Motor		4A4259-01	1								
1a	Thumbscrew		415949G12	1								
2	Pump Motor Bracket		4A4251G01	1								
2a	Thumbscrew		415949G12	2								
3	Pump Hose		4A5685-01	1								
4	Water Supply Pipe		4A4250G01	1								
5	Rubber Gasket		413854-03	1								
6	Water Supply Tube		2A4132-01	1								
7	Inlet Water Valve	KMD-460MAH KMD-460MWH	3U0111-03	1								
		KMD-530MAH KMD-530MRH	4A5251-07	1								
		KMD-530MWH	4A5251-03	1								
8	Water Valve Hose (tee)		3A4366-01	1								
9	Spray Tube		2A4133-01	1								
10	Plug		4A0176-01	3								
11	Spray Guide		2A4282-04	3								
12	Float Switch		4A3624-01	1								
12a	T2 Screw		7P32-0412	2								
13	Evaporator Pipe		4A3765-02	1								
14	Splash Curtain	KMD-460MAH KMD-460MWH KMD-530MAH KMD-530MRH KMD-530MWH	2A7452G01	2								
15	Float Switch Bracket		327757-01	1								
15a	T2 Screw	4x12	7P32-0412	1								
16	Vinyl Hose	40 mm	7716-1216	1								
17	Wash Valve	KMD-460MAH KMD-460MWH	4A5745-01	1								
		KMD-530MAH KMD-530MWH KMD-530MRH	4A5530-01	1								
18	Drain Valve	KMD-460MAH KMD-460MWH	4A5745-03	1								
		KMD-530MAH KMD-530MWH KMD-530MRH	4A5530-03	1								
19	Drain Hose		4A5688-01	1								
20	Cube Guide		1A1336-01	1								
21	Bypass Hose (tee)		4A5687-01	1								
22	Drain Plug		309246-01	1								
23	O-Ring		7611-P015	1								
24	Tank		3A8316G01	1								
25	Tank Separator		4A4239-01	1								
26	Tank Drain Hose		4A5684-01	1								
27	Vinyl Hose	25 mm	4A0658L01	1								
28	Vinyl Hose		7716-1519	1								

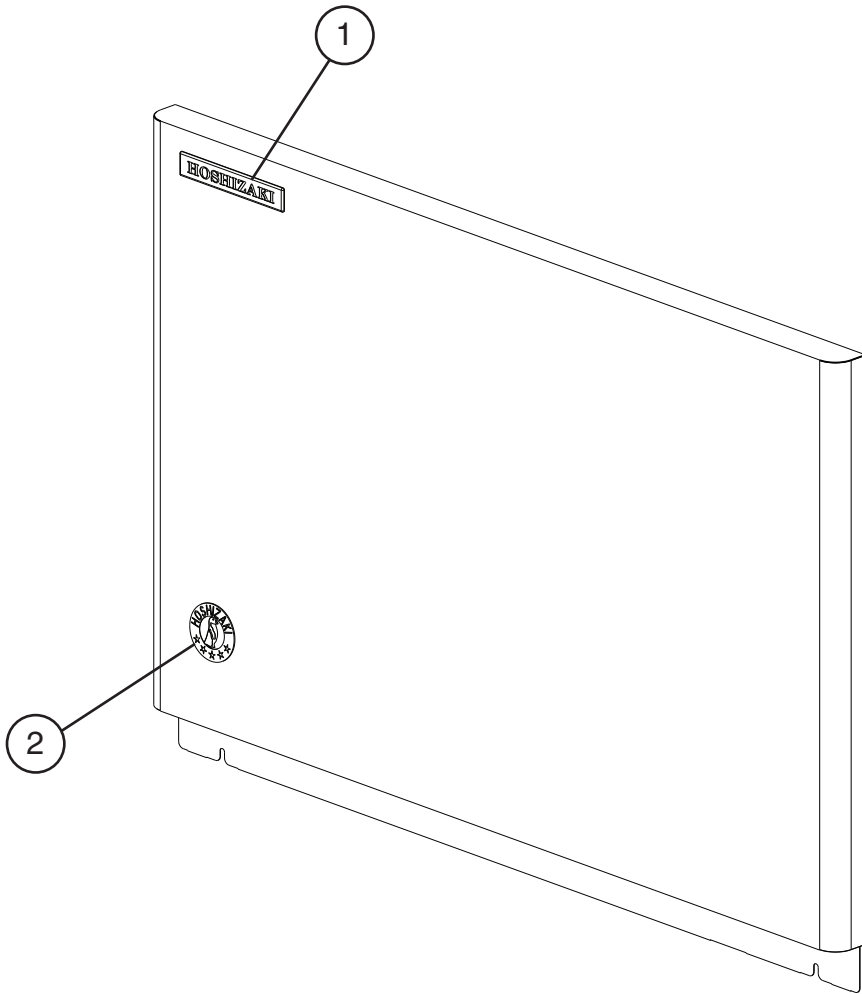
Title: B. Water Circuit Model: KMD-460M_H, KMD-530M_H											
Index No.	Description	Material or Model Number	Part Number	D-0 to H-0	Required Number						
Hose Clamp											
	Hose Clamp	18 mm, SS	427443-05	2							
	Hose Clamp	25 mm, SS	427443-03	4							
	Hose Clamp	20 mm, SS	427443-06	6							

C. Control Box Assembly
KMD-460M_H, KMD-530M_H
 D-0 to H-0



Title: C. Control Box Assembly Model: KMD-460M_H, KMD-530M_H												
Index No.	Description	Material or Model Number	Part Number	D-0 to H-0	Required Number							
1	Start Capacitor	243-292MFD, 165VAC	3A0076-20	1								
2	Run Capacitor	35MFD, 440VAC	3A2005-12	1								
3	Start Relay		4A1107-11	1								
4	Compressor Relay		4A3140-01	1								
5	Pump Motor Capacitor	2.5MFD, 250VAC	4A2128-05	1								
6	Control Transformer		3A0172-01	1								
7	Control Board		2A3792-01	1								
7a	Control Board Support		4A0336-03	4								
8	Toggle Switch (Control)		443119-01	1								
9	Toggle Switch (Service)		4A0985-01	1								
10	Fuse Holder		4A5443-01	1								
11	Fuse	AGC-10, 250VAC	4A0893-07	1								
12	Relay (X10 - Pump Motor Relay X11 - X10 Control Relay X12 - Pump-Out Relay)	All Models	406132-07	3								
	Relay (X13 - Crankcase Heater Relay)	KMD-530MRH		1								
13	Mechanical Bin Control Wire Harness		4A2200G04	1								

D. Accessories & Labels
KMD-460_H, KMD-530M_H
 D-0 to H-0



Title: D. Accessories & Labels Model: KMD-460M_H, KMD-530M_H											
Index No.	Description	Material or Model Number	Part Number	Required Number							
				D-0 to H-0							
1	Hoshizaki Emblem Label		4A0560-01	1							
2	Penguin Label		475552L02	1							
3	Universal Brace		4A0363-01	2							
3a	Hex Bolt	5x12	7B02-0512	2							